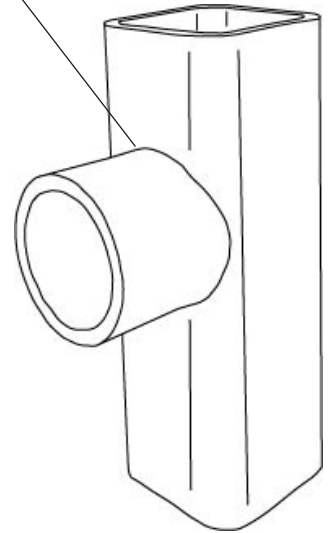


Flue Liners with Holes

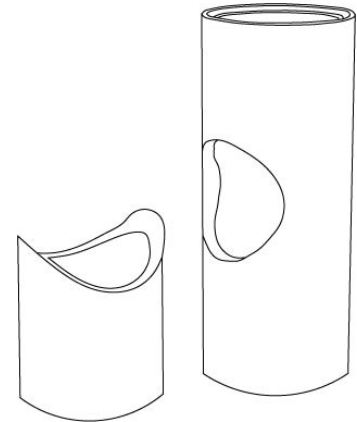
Nominal Size (2' Sections)	Item	Wt/Pc	Hole Size	Hole Fits:
8x8	1202	31	7.5"	6" Thimbles
8½x8½	1204	39	7.5"	6" Thimbles
8x12	1206	44	10" or 8¾"	8" or 7" Thimbles (specify Hole)
8½x13	1208	52	10"	8" Thimbles
12x12	1210	60	8"	7" Thimbles
13x13	1212	68	10"	8" Thimbles
6" Round	1224	28	6	6" Saddle
7" Round	1226	36	7"	7" Saddle
8" Round	1228	44	8"	8" Saddle
10" Round	1230	60	10"	10" Saddle
12" Round	1232	76	12"	12" Saddle

Site Assembled with
Refractory Mortar at
Joint

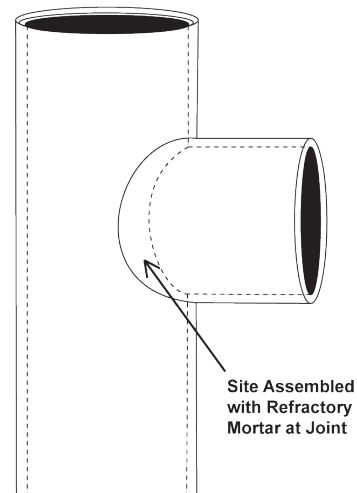


Thimbles and Saddles

Size (Dia x Length)	Item#	Wt/Pc	Thimble/Saddle Fits:
6" x 12" Thimble	1314	13	8x8, 8½x8½
6" x 24" Thimble	1320	26	8x8, 8½x8½
7" x 12" Thimble	1326	17	8x12, 12x12
7" x 24" Thimble	1332	34	8x12, 12x12
8" x 12" Thimble	1338	21	8x12, 8½x13, 13x13
8" x 24" Thimble	1344	42	8x12, 8½x13, 13x13
6" Short Saddle (length≈9")	1350	10	6" Round
6" Long Saddle (length≈18")	1352	20	6" Round
7" Short Saddle (length≈9")	354	14	7" Round
7" Long Saddle (length≈18")	1356	30	7" Round
8" Short Saddle (length≈9")	1358	17	8" Round
8" Long Saddle (length≈18")	1360	37	8" Round



- Flues with holes only available in 2' lengths.
- Thimbles and saddles are site assembled with refractory mortar to form the joint.
- Note that thimbles fit inside the hole of the square/rectangular flue and should fit flush with the interior wall. The thimble must not impinge the inside the vertical flue section.
- Saddles fit flush to the outside of the round flue with hole.
- All Saddles and Thimbles may be site cut with masonry saw for proper length.



Sandkuhl
clay works